

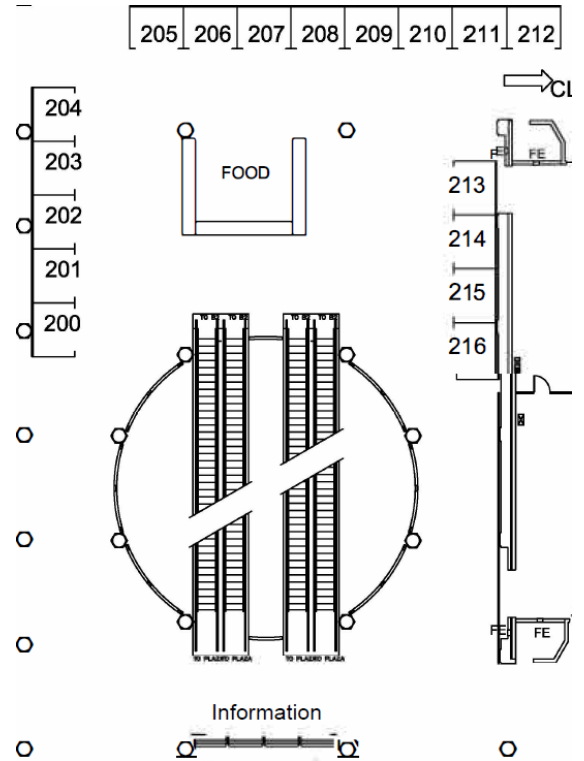
MBAC20 exhibitor map

Last updated Dec. 20, 2019



Company	Booth #
Mezzanine Level	
	200
	201
	202
	203
	204
	205
	206
	207
	208
	209
	210
	211
	212
	213
	214
	215
	216
Lower Level	
	100
	101
MNCPA booth	102
	105
	106
	107
	108
	109
	110
	111
	112
	113
	114
	115
	116

Mezzanine level



Lower level

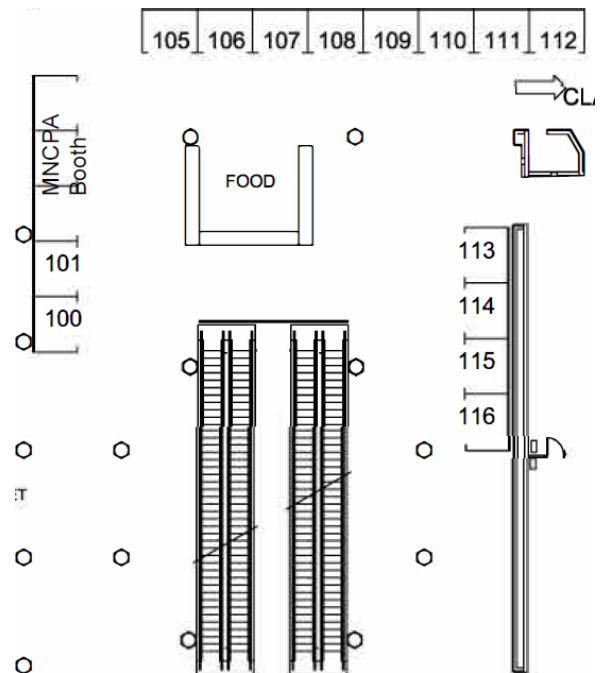


Exhibit booths will be reserved on a first-come, first serviced basis and confirmed once full payment is received.